

MICOS

MOTION CONTROL & OPTICS **USA**

[Terms](#) | [Sitemap](#) | [About us](#) | [Contact](#) | [Catalog](#) | [Shows](#) | [News](#) | [Offices](#) | [Partners](#) | [Press Center](#) | [Support](#) | [Team](#) | [Home](#)

MICOS USA • 15375 BARRANCA PARKWAY • STE G101 • IRVINE • CA 92618 • PHONE 949 480 0538 • FAX 949 480 0538

Page

6.005

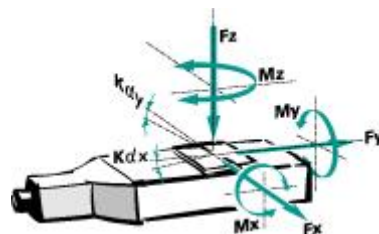
Linear Stage AMT-120

Manual Positioners



Key features

- Travel range up to 50 mm
- Clear aperture 56 mm
- Center load capacity 20 kg
- Crossed-roller bearings
- Special, tempered Aluminium



FACTS

Load Characteristics	F _x (N)	F _y (N)	F _z (N)	M _x (Nm)
MM-010	100	80 / 10	200	35

Technical data

Travel Range (mm)	25	50
Micrometer Pitch (mm)	0.5	
Straightness / Flatness (µm)	+/- 1	
Pitch (µrad)	+/- 80	
Yaw (µrad)	+/- 80	
Scale Resolution (µm)		
MM-010, Micrometer	10	

Sensitivity (μm)

MM-010, Micrometer

1.2

Material

Tempered Aluminium , black anodized

Weight (kg)

1.2

1.4

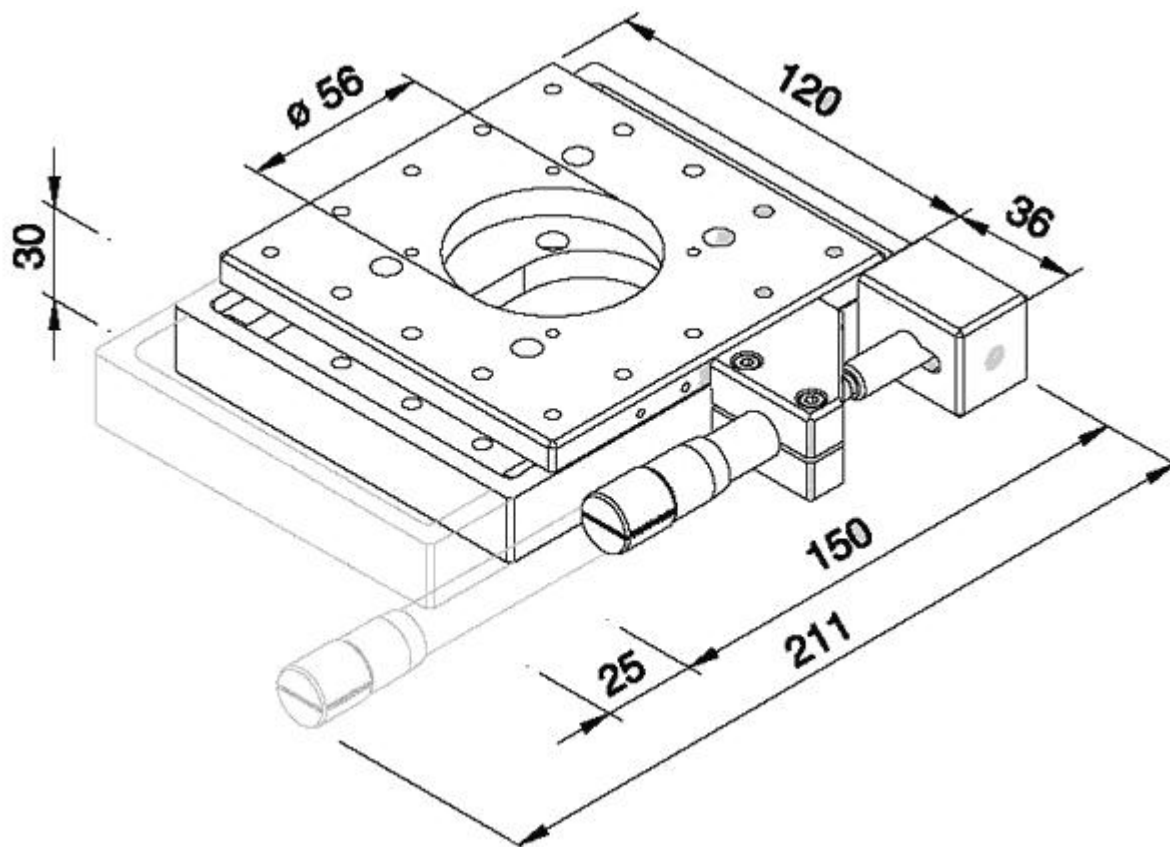
MOTION CONTROL Systems Positioners MiniPos DirectDrives Controllers ManPos Accessories Vacuum MAC PhotonX M A C

AMT-120 Base

Travel ranges

25 mm

50 mm



MOTION CONTROL Systems Positioners MiniPos DirectDrives Controllers ManPos Accessories Vacuum MAC PhotonX M A C

AMT-120 Ordering information

Linear Stage**Order-No.**

AMT-120 25 mm

6227-9-100

AMT-120 50 mm

6227-9-200

